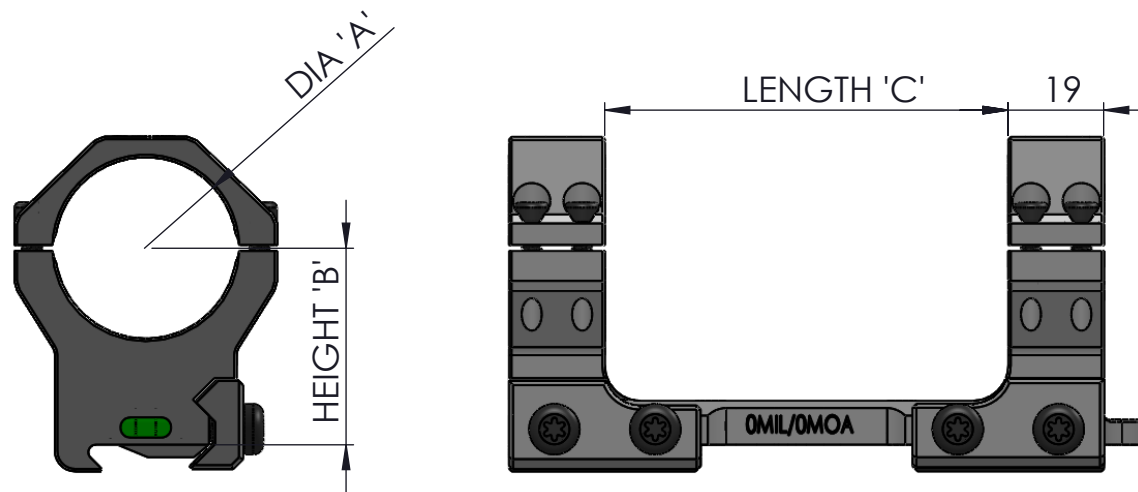


2

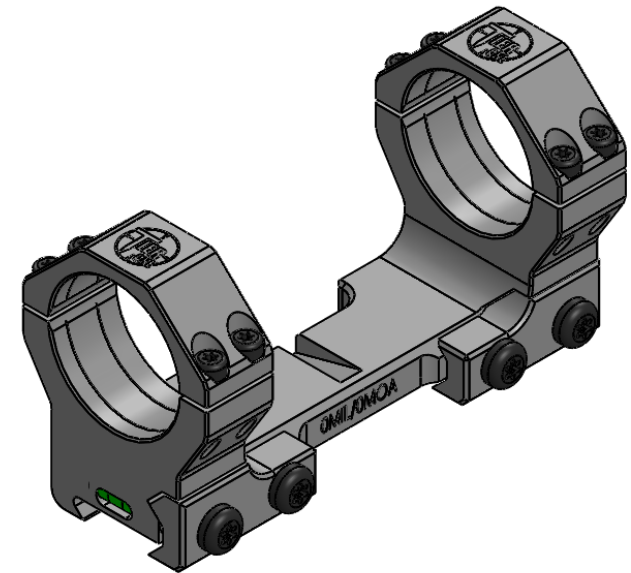
1

ORDER CODE	T1MUL-300030 T1MUL-300630	T1MUL-300038 T1MUL-300638	T1MUL-340032 T1MUL-340632	T1MUL-340038 T1MUL-340638	T1MUL-350033 T1MUL-350633	T1MUL-350039 T1MUL-350639	T1MUL-360033 T1MUL-360633	T1MUL-360039 T1MUL-360639	T1MUL-400034 T1MUL-400634	T1MUL-400039 T1MUL-400639
DIA 'A'	30	30	34	34	35	35	36	36	40	40
HEIGHT 'B'	30	38	32	38	33	39	33	39	34	39
LENGTH 'C'	80	80	80	80	80	80	80	80	80	80

B

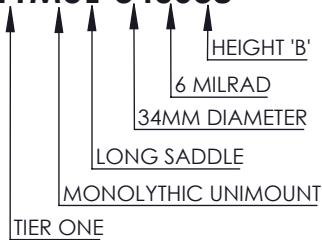


B



### KEY TO ORDER CODE

Example: **T1MUL-340638**



UNLESS OTHERWISE SPECIFIED:

DIMENSIONS ARE IN MM  
TOLERANCES:  
FRACTIONAL ±  
ANGULAR: MACH ± BEND ±  
TWO PLACE DECIMAL ±  
THREE PLACE DECIMAL ±

INTERPRET GEOMETRIC  
TOLERANCING PER:

MATERIAL **AL7075 T6**

FINISH **HARD ANODISE 30 MICRONS  
OR CERAKOTE**

DO NOT SCALE DRAWING

NAME DATE

DRAWN **CC** **03/10/17**  
CHECKED  
ENG APPR.  
MFG APPR.  
Q.A.  
COMMENTS:

[WWW.TIER-ONE.EU](http://WWW.TIER-ONE.EU)

TITLE:

**LONG SADDLE MONOLYTHIC  
UNIMOUNT SPECIFICATIONS**

SIZE DWG. NO. REV

**A** **T1MUL-SPECS**

SCALE: 1:2 WEIGHT: SHEET 1 OF 1

A

A

2

1

**PROPRIETARY AND CONFIDENTIAL**  
THE INFORMATION CONTAINED IN THIS  
DRAWING IS THE SOLE PROPERTY OF  
EVO LEISURE LTD. ANY  
REPRODUCTION IN PART OR AS A WHOLE  
WITHOUT THE WRITTEN PERMISSION OF  
EVO LEISURE LTD IS  
PROHIBITED.



TRADING NAME OF  
EVO LEISURE LTD  
GREAT BRITAIN

NEXT ASSY

USED ON

APPLICATION